

R2 Draw Latch

Concealed · Panel fastening · Galvanized finish

Features

- Provides a high strength concealed joint
- Operates quickly with a hex wrench
- Self adjusts to ensure a tight connection

Material

- Steel, galvanised

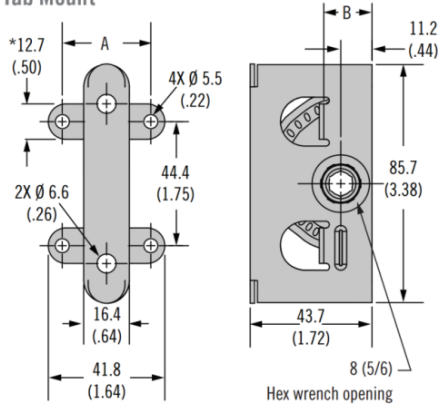
Product Performance

- Tab, shallow, and mortise mount:
 - Average ultimate tensile load: 6,200 N
 - Average ultimate shear load: 8,900 N
- Front mount:
 - Average ultimate tensile load: 4,000 N

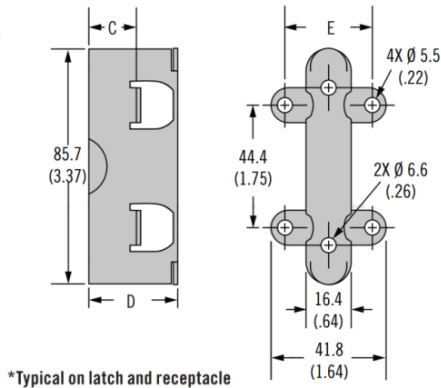


Latch

Tab Mount

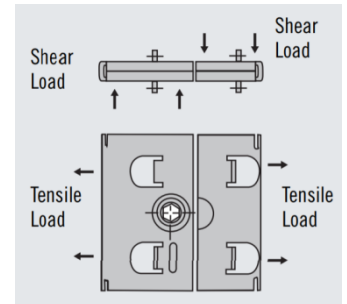
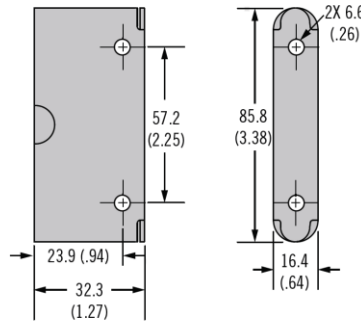
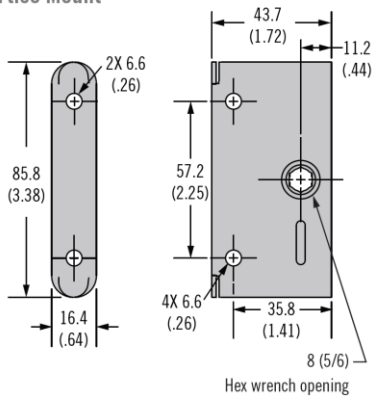


Receptacle



*Typical on latch and receptacle

Mortise Mount



Front/Rear Mount

